



Apple iPod Dock 接頭接腳相關資料:

喬治查爾斯電子電路網
<http://gc.digitw.com>

iPod Dock 插頭接腳，腳位功能可是相當多，Line In，Line Out，Video Output，Serial，USB 及 1349，總共有 30 隻腳，依需求接用，不用 30 隻腳都接線。



左圖最右邊為第 1 腳，最左邊為第 30 腳。

圖片來自：

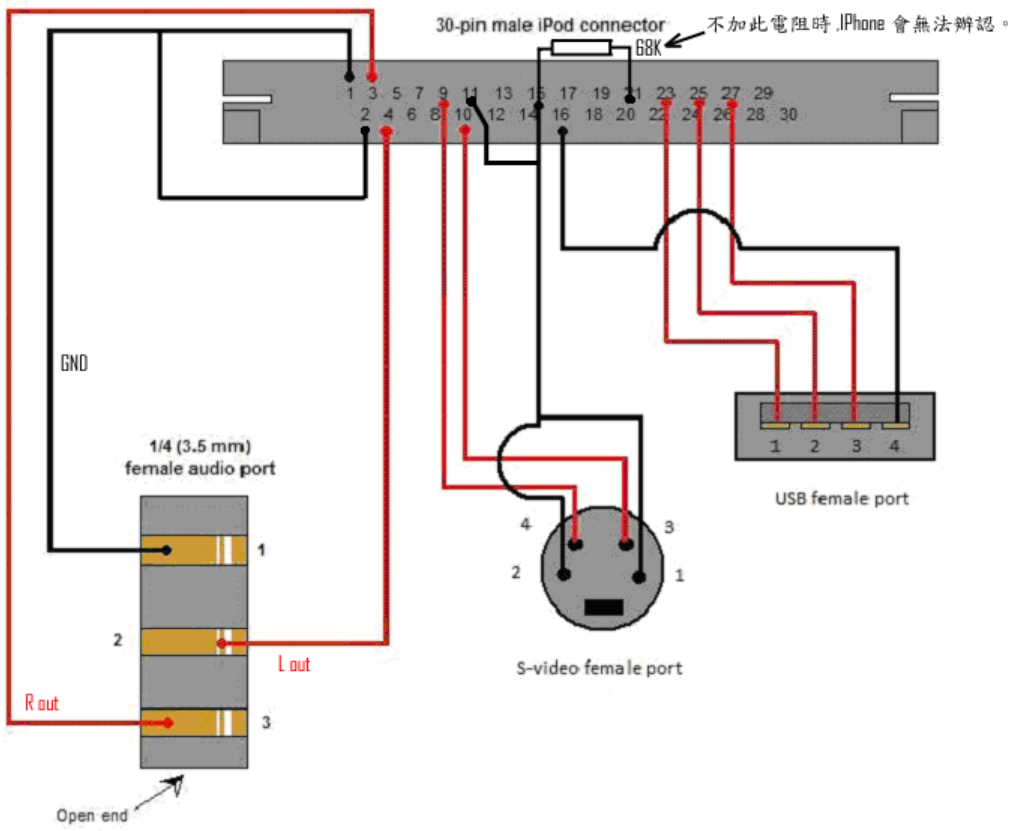
<http://intel3com-world.blogspot.com/2008/05/apple-ipod-dock.html>

Pin 腳功能定義

1 Gnd	17
2 Gnd	18 3.3V
3 Right Line Out 右聲道輸出	19 <1394> Firewire Power 12VDC
4 Left Line Out 左聲道輸出	20 <1394> Firewire Power 12VDC
5 Right Line In 右聲道輸入	21 Accessory Indicator/Serial enable
6 Left Line In 左聲道輸入	22 <1394> FireWire Data TPA -
7	23 (USB) Power 5VDC
8 Composite video output	24 <1394> FireWire Data TPA +
9 S-Video Chrominance output	25 (USB) Data -
10 S-Video Luminance output	26 <1394> FireWire Data TPB -
11 Serial Gnd	27 (USB) Data +
12 Serial TxD	28 <1394> FireWire Data TPB +
13 Serial RxD	29 Gnd
14	30 Gnd
15 Gnd	
16 Gnd	

Pin 1, 2, 15, 16, 19, 20, 29, 30 這 6 根接地是相連在一起，Pin 11 是 RS-232 用的接地，並沒和其他接地相連。

應用接法:



30-Pin iPod connector (male)

- 1- Audio in ground
- 3- Audio in right
- 4- Audio in left
- 9- S-video out C
- 10- S-video out Y
- 15- S-Video ground
- 16- USB ground
- 23- USB +5V
- 25- USB data -
- 27- USB data +

USB Port

- 1- 5V
- 2- Data -
- 3- Data +
- 4- Ground

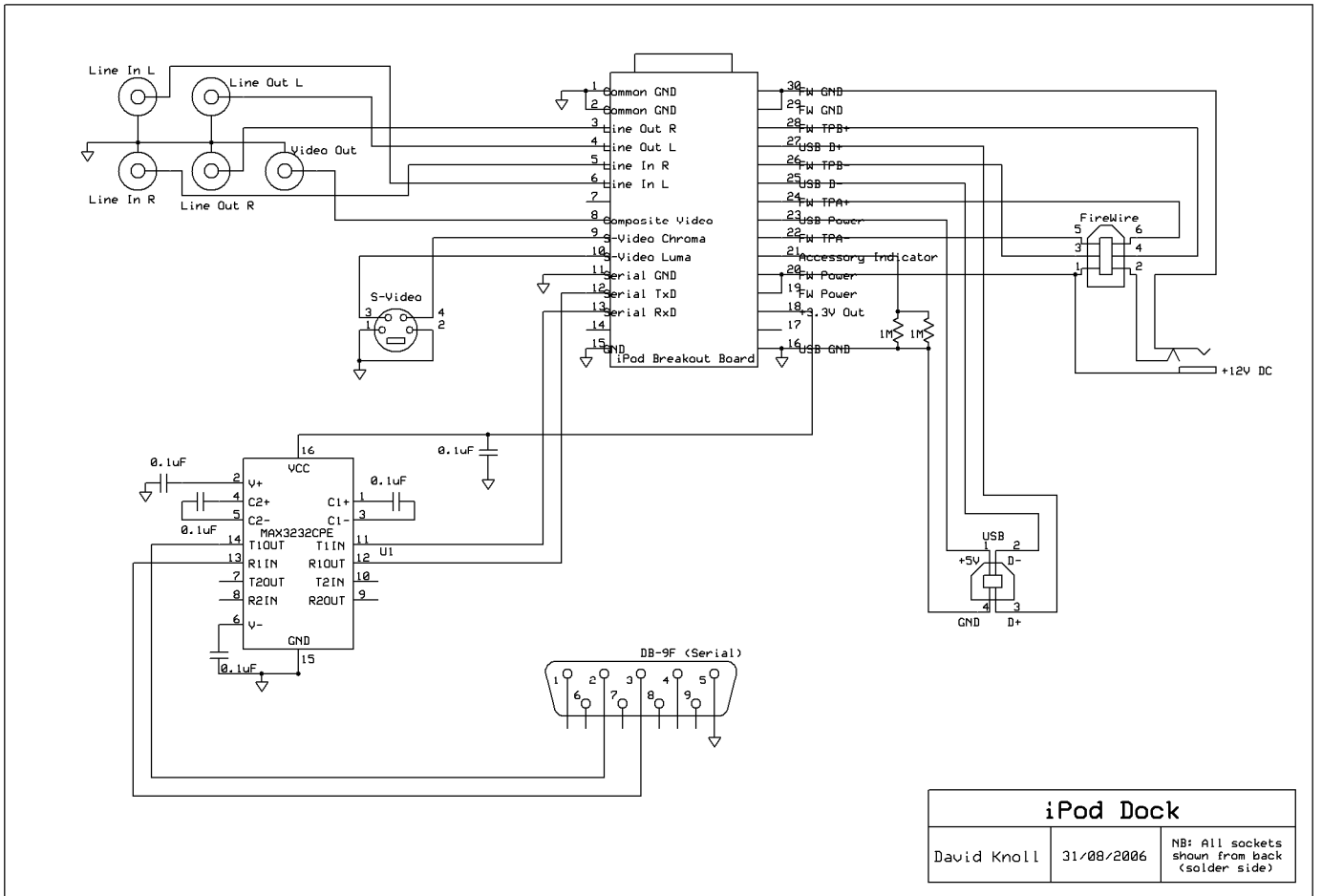
Audio Port

- 1- Ground
- 2- Left
- 3- Right

S-Video Port

- 1- Ground
- 2- Ground
- 3- Intensity/Luminance (Y)
- 4- Color/Chrominance (C)

原圖出處: <http://trevorshp.com/creations/dock3.htm>



原圖出處：<http://www.davidknoll.me.uk/images/ipoddock.gif>

部份內容譯自國外網站，未盡之處請見諒

[喬治查爾斯電子電路網]
<http://gc.digitw.com>