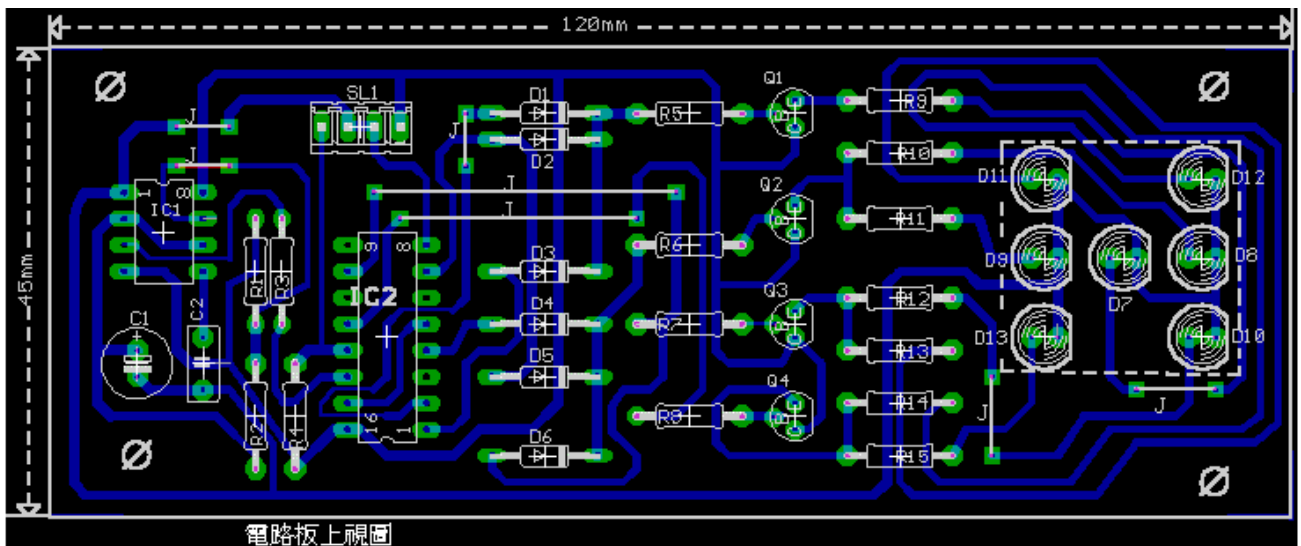
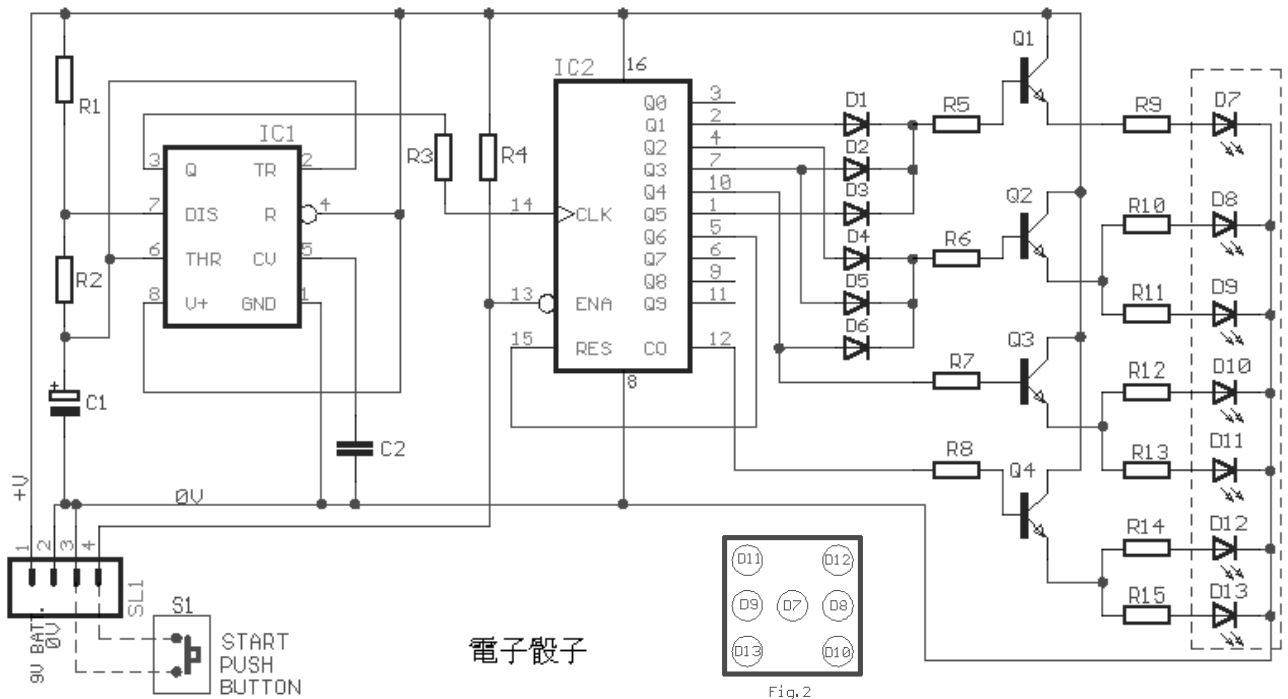


電子骰子



Part List

R1-2=2.2Kohms	C1=22uF 25V	IC2= 4017B
R3=10Kohms	C2=10nF 100V MKT	Q1....4= BC550
R4=100Kohms	D1.....6=1N4148	S1=Normal Open Push switch
R5.....8=8.2Kohms	D7.....13=Red Led 5mm	SL1=4pin connector 2.54mm step
R9.....5=1Kohms	IC1= NE555 or LM555	BATT=9V battery or 12V ext.